

XV300

SOLUTIONS pour CONTROLE VITESSE VENTILATEUR TRIPHASÉ

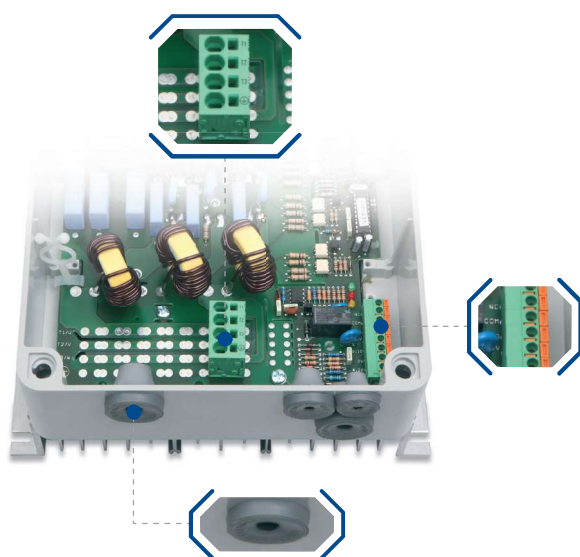


XV300K est une famille de régulateurs à découpage de phase conçue pour les ventilateurs triphasés avec moteurs à tension variable. Tous les modèles, disponibles en version maître et esclave, sont compatibles avec tous les régulateurs Dixell équipés de sorties PWM, 4÷20mA ou 0÷10V comme les séries iPro, XC600 et XM600.

Leur grande polyvalence permet à l'utilisateur de les monter sans protections supplémentaires sur la partie externe de l'armoire électrique, réduisant ainsi le coût et la complexité du câblage de l'armoire, évitant aussi les problèmes dus à la dissipation de la chaleur.

- Conçu pour les moteurs à tension variable de 8 à 40A
- Dissipateurs thermiques surdimensionnés pour une meilleure évacuation de la chaleur
- Protection thermique intégrée
- Etages de puissance surdimensionnés
- Des filtres de radiofréquence optimisés
- Sortie 0÷10V à utiliser pour les tests de fonctionnement
- Connexion série aux systèmes de supervision

CÂBLAGE RAPIDE



Moins de temps passé pour le câblage grâce aux connecteurs sans vis avec des protections très pratiques de câbles.

XV300 SERIES

THREE-PHASE FAN SPEED CONTROLLERS

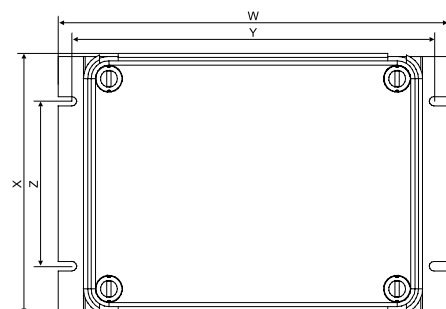
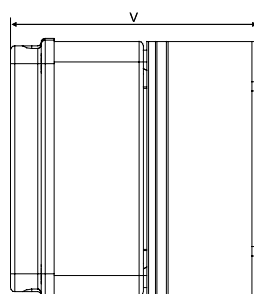
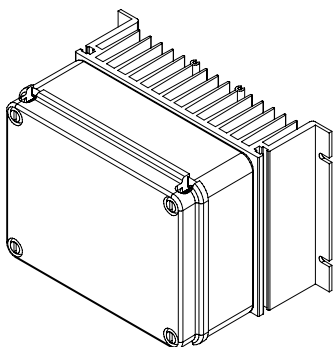


XV300 is the range of cut phase controllers dedicated to condenser fans speed control in master or slave version, designed for the control of three-phase fan speed with adjustable voltage asynchronous motors. The versatility of the range and the 9 power levels available (from 5,5KVA to 41kVA) provide the optimal solution for each type of system.

- Designed for adjustable voltage motors from 8 to 60A
- Oversized heat sinks for better heat disposal
- Integrated heat protection
- Oversized power stages
- Optimized radiofrequency filters
- Time and costs reduction of wiring
- 0÷10V output to be used for testing operations
- Compatibility with all IC100/200 evo family controllers
- Compatibility with iPro family controllers

DIMENSIONS

XV308K, XV310K	XV312K, XV316K	XV320K	XV328K, XV340K	XV350K, XV360K
V = 150	V = 165	V = 230	V = 235	V = 235
W = 230	W = 230	W = 230	W = 340	W = 340
X = 165	X = 265	X = 265	X = 270	X = 440
Y = 220	Y = 220	Y = 220	Y = 322	Y = 322
Z = 90	Z = 200	Z = 200	Z = 165	Z = 340



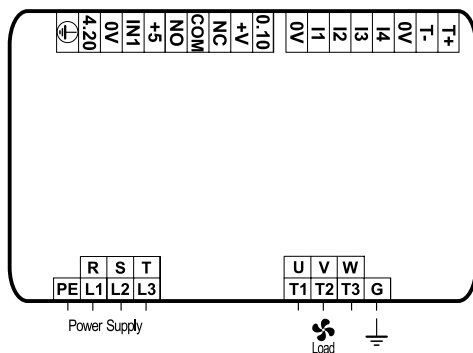
THREE-PHASE FAN SPEED CONTROLLERS in SLAVE VERSION



XV308K	Fan speed controller designed for three-phase A.C. motors up to 5,5kVA, 8A, with input for PWM, 4÷20mA or 0÷10V
XV310K	Fan speed controller designed for three-phase A.C. motors up to 6,5kVA, 10A, with input for PWM, 4÷20mA or 0÷10V
XV312K	Fan speed controller designed for three-phase A.C. motors up to 8kVA, 12A, with input for PWM, 4÷20mA or 0÷10V
XV316K	Fan speed controller designed for three-phase A.C. motors up to 11kVA, 16A, with input for PWM, 4÷20mA or 0÷10V
XV320K	Fan speed controller designed for three-phase A.C. motors up to 13kVA, 20A, with input for PWM, 4÷20mA or 0÷10V
XV328K	Fan speed controller designed for three-phase A.C. motors up to 19kVA, 28A, with input for PWM, 4÷20mA or 0÷10V
XV340K	Fan speed controller designed for three-phase A.C. motors up to 26kVA, 40A, with input for PWM, 4÷20mA or 0÷10V
XV350K	Fan speed controller designed for three-phase A.C. motors up to 32kVA, 50A, with input for PWM, 4÷20mA or 0÷10V
XV360K	Fan speed controller designed for three-phase A.C. motors up to 41kVA, 60A, with input for PWM, 4÷20mA or 0÷10V

FEATURES	XV308K	XV310K	XV312K	XV316K	XV320K	XV328K	XV340K	XV350K	XV360K
Power supply	400Vac	400Vac	400Vac	400Vac	400Vac	400Vac	400Vac	400Vac	400Vac
Protection grade	IP55	IP20	IP55	IP20	IP55, IP20 opt	IP55, IP20 opt	IP55, IP20 opt	IP55	IP55
Maximum load	8A	10A	12A	16A	20A	28A	40A	50A	60A
Control input	PWM 4÷20mA 0÷10V	PWM 4÷20mA 0÷10V	PWM 4÷20mA 0÷10V	PWM 4÷20mA 0÷10V	PWM 4÷20mA 0÷10V	PWM 4÷20mA 0÷10V	PWM 4÷20mA 0÷10V	PWM 4÷20mA 0÷10V	PWM 4÷20mA 0÷10V
Alarm relay	1A, 250Vac 3A, 30Vdc	1A, 250Vac 3A, 30Vdc	1A, 250Vac 3A, 30Vdc	1A, 250Vac 3A, 30Vdc	1A, 250Vac 3A, 30Vdc	1A, 250Vac 3A, 30Vdc	1A, 250Vac 3A, 30Vdc	1A, 250Vac 3A, 30Vdc	1A, 250Vac 3A, 30Vdc
Auxiliary output	10Vdc	10Vdc	10Vdc	10Vdc	10Vdc	10Vdc	10Vdc	10Vdc	10Vdc
Supply LED	pres	pres	pres	pres	pres	pres	pres	pres	pres
Alarm LED	pres	pres	pres	pres	pres	pres	pres	pres	pres
ModBUS-RTU	pres	pres	pres	pres	pres	pres	pres	pres	pres

XV308K - XV310K - XV312K - XV316K - XV320K - XV328K - XV340K - XV350K - XV360K



THE TERMINAL POSITION CAN VARY DEPENDING ON THE MODEL

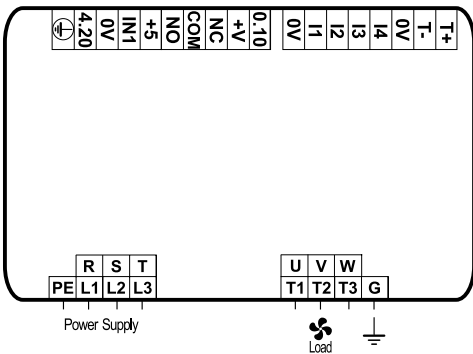
THREE-PHASE FAN SPEED CONTROLLERS in MASTER VERSION



XV308K	Fan speed controller designed for three-phase A.C. motors up to 5,5kVA, 8A, with input for PWM, 4÷20mA or 0÷10V
XV312K	Fan speed controller designed for three-phase A.C. motors up to 8kVA, 12A, with input for PWM, 4÷20mA or 0÷10V
XV320K	Fan speed controller designed for three-phase A.C. motors up to 13kVA, 20A, with input for PWM, 4÷20mA or 0÷10V
XV328K	Fan speed controller designed for three-phase A.C. motors up to 19kVA, 28A, with input for PWM, 4÷20mA or 0÷10V
XV340K	Fan speed controller designed for three-phase A.C. motors up to 26kVA, 40A, with input for PWM, 4÷20mA or 0÷10V
XV350K	Fan speed controller designed for three-phase A.C. motors up to 32kVA, 50A, with input for PWM, 4÷20mA or 0÷10V
XV360K	Fan speed controller designed for three-phase A.C. motors up to 41kVA, 60A, with input for PWM, 4÷20mA or 0÷10V

FEATURES	XV308K	XV312K	XV320K	XV328K	XV340K	XV350K	XV360K
Power supply	230/400Vac	230/400Vac	230/400Vac	230/400Vac	230/400Vac	230/400Vac	230/400Vac
Protection grade	IP55	IP55	IP55	IP55	IP55	IP55	IP55
Maximum load	8A	12A	20A	28A	40A	50A	60A
Control input	PWM 4÷20mA 0÷10V	PWM 4÷20mA 0÷10V	PWM 4÷20mA 0÷10V	PWM 4÷20mA 0÷10V	PWM 4÷20mA 0÷10V	PWM 4÷20mA 0÷10V	PWM 4÷20mA 0÷10V
Alarm relay	1A, 250Vac 3A, 30Vdc	1A, 250Vac 3A, 30Vdc	1A, 250Vac 3A, 30Vdc	1A, 250Vac 3A, 30Vdc	1A, 250Vac 3A, 30Vdc	1A, 250Vac 3A, 30Vdc	1A, 250Vac 3A, 30Vdc
Auxiliary output	10Vdc	10Vdc	10Vdc	10Vdc	10Vdc	10Vdc	10Vdc
OLED LCD display	opt	opt	opt	opt	opt	opt	opt
Real time clock	opt	opt	opt	opt	opt	opt	opt
ModBUS-RTU	pres	pres	pres	pres	pres	pres	pres

XV308K - XV312K - XV320K - XV328K - XV340K - XV350K - XV360K



THE TERMINAL POSITION CAN VARY DEPENDING ON THE MODEL